

3M-Matic™ Random Case Sealer 7000r Pro/7000r3 Pro

Consistent. Reliable. Tough.

Today, companies need to be fast and flexible in every phase of their operations—and that includes end-of-line packaging. The 3M-Matic™ Random Case Sealer 7000r Pro/7000r3 Pro gives manufacturers and distributors from every industry the packaging flexibility and speed to stay one step ahead of the competition.

This advanced technology case sealer is an ideal solution for top and bottom sealing of random-sized cases. Automatically adjusting to both case height and width, the 3M-Matic™ Random Case Sealer 7000r Pro/7000r3 Pro can handle up to 24 different case sizes per minute.



Operating Rate

Seals up to 24 random sized cases per minute

Box Capacities

Length: 6.0" to unlimited

Width: 6.5" to 26.5"

Height*: 2.25" to 26.0" (standard)
11.75" to 36.0" (high)



*Height range is dependant upon machine position (Standard or Offset) and Tape Leg Length (Standard or Short).

3M-Matic™ Random Case Sealer 7000r Pro/7000r3 Pro

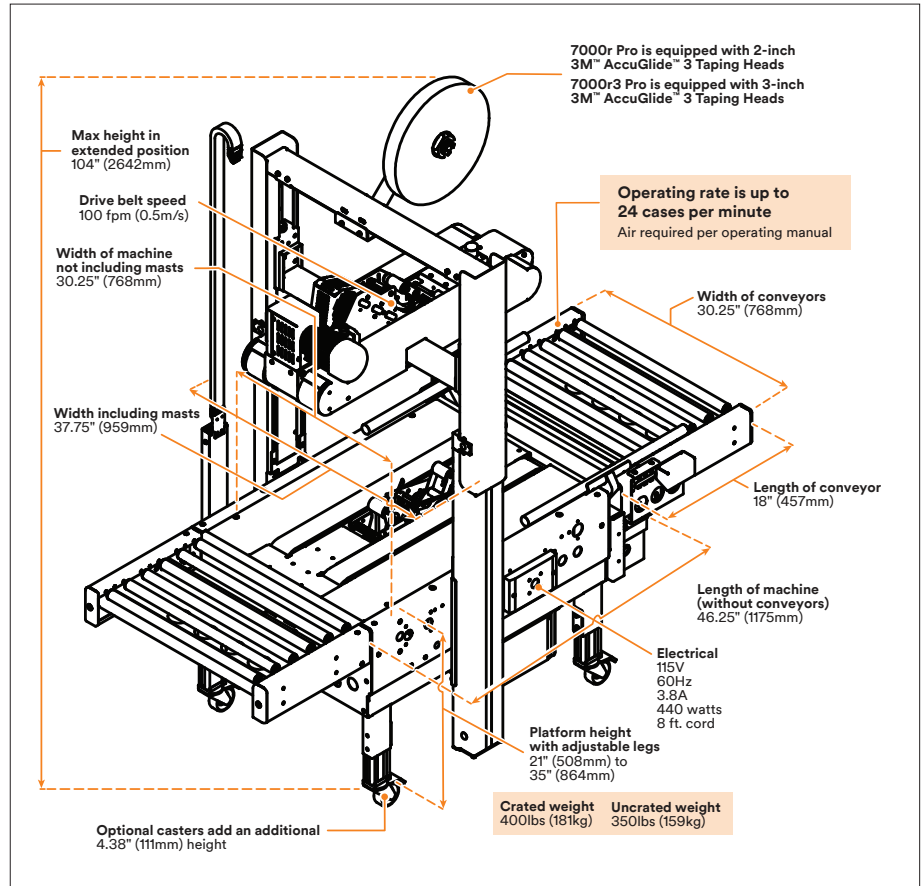
Innovative Features

- 3M™ AccuGlide™ 3 Taping Heads ensure reliable application of tape without box damage
- Auxiliary offset taping head position provides more flexibility in sealing shorter boxes
- Interchangeable 2- or 3-inch taping heads maximize production flexibility
- Rugged, dual-extruded columns allow for smooth, incremental adjustments to case heights
- Photo eye detection for box centering quickly responds to cartons of different widths
- Electro-mechanical height adjustment delivers precision performance and durability

Standard Features

- Top and bottom drive belt system
- Centrally located emergency stop
- Dual masts
- Infeed conveyor

Options: Exit conveyor, locking casters, low tape indicator, tape application monitor



Box Capacities

Machine	Length		Width		Height		
	Minimum in. (mm)	Maximum in. (mm)	Minimum in. (mm)	Maximum in. (mm)	Minimum in. (mm)		Maximum*** in. (mm)
					Standard Position* Standard Tape Leg	Offset Position** Short Tape Leg	
7000r Pro/ 7000r3 Pro	6.0 (152)	N/L	6.5 (165)	26.5 (673)	4.5 (114)	2.25 (57)	26.0 (660)

Offset taping head position always requires the short tape leg.

*Requires a column or bumper adjustment for case heights lower than 4.5" and higher than 26".

**Minimum case height of lower than 2.25" requires LHB taping head and 78 fpm belt speed.

NOTE: Case heights below 3.25" require a minimum case width of 13".

***Maximum case height of 36" obtained by moving the columns and upper assembly to the uppermost position. Minimum will be 11.75".

Contact your 3M representative for special modifications that may be available for sizes not listed.

Note: This technical information and data should be considered representative or typical only and should not be used for specification purposes.

Visit 3M.com/packaging for more information



Closure and Masking Systems Division
3M Center, Building 225-3S-06
St. Paul, MN 55144-1000

Phone 800-362-3550
Fax 877-369-2923
Web 3M.com/Packaging

Product Use: Many factors beyond 3M's control and uniquely within user's knowledge and control can affect the use and performance of a 3M product in a particular application. Given the variety of factors that can affect the use and performance of a 3M product, user is solely responsible for evaluating the 3M product and determining whether it is fit for a particular purpose and suitable for user's method of application. **Warranty, Limited Remedy, and Disclaimer:** Unless an additional warranty is specifically stated on the applicable 3M product packaging or product literature, 3M warrants that each 3M product meets the applicable 3M product specification at the time 3M ships the product. 3M MAKES NO OTHER WARRANTIES OR CONDITIONS, EXPRESS OR IMPLIED, INCLUDING, BUT NOT LIMITED TO, ANY IMPLIED WARRANTY OR CONDITION OF MERCHANTABILITY OR FITNESS FOR A PARTICULAR PURPOSE OR ANY IMPLIED WARRANTY OR CONDITION ARISING OUT OF A COURSE OF DEALING, CUSTOM OR USAGE OF TRADE. If the 3M product does not conform to this warranty, then the sole and exclusive remedy is, at 3M's option, replacement of the 3M product or refund of the purchase price. **Limitation of Liability:** Except where prohibited by law, 3M will not be liable for any loss or damage arising from the 3M product, whether direct, indirect, special, incidental or consequential, regardless of the legal theory asserted, including warranty, contract, negligence or strict liability.

3M, 3M-Matic and AccuGlide are trademarks of 3M Company. Please recycle. Printed in USA.
© 3M 2022. All rights reserved. 70-0710-0430-6 Rev 5/22